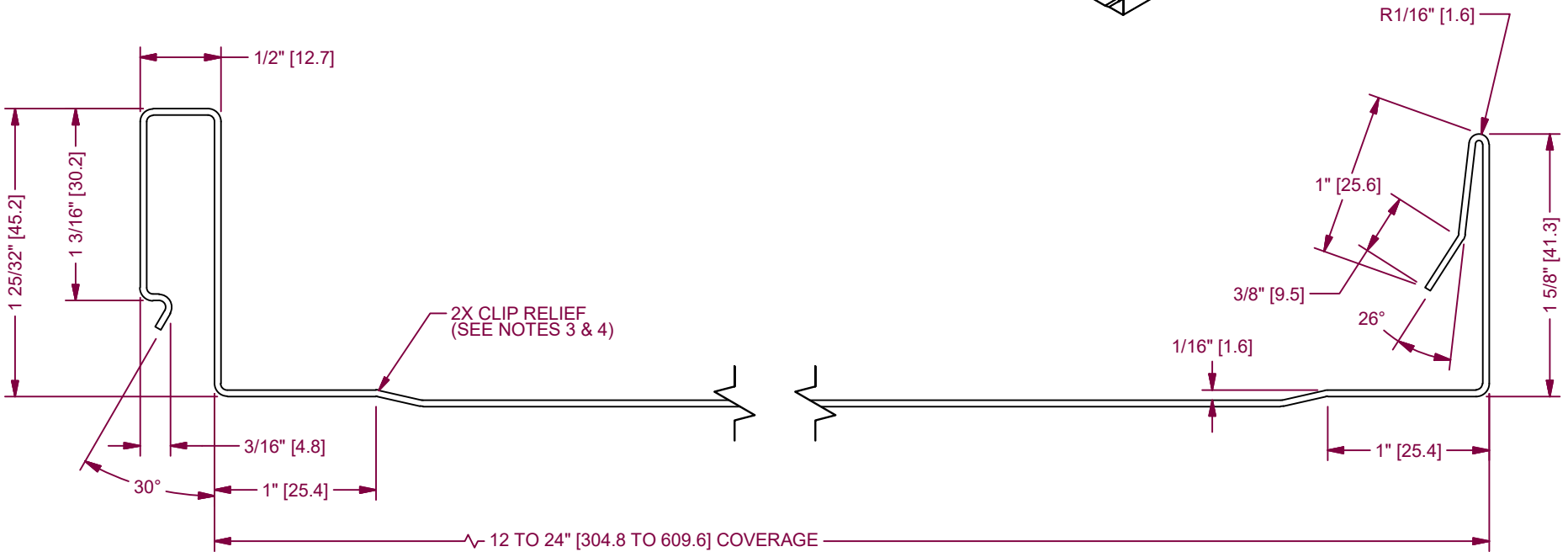
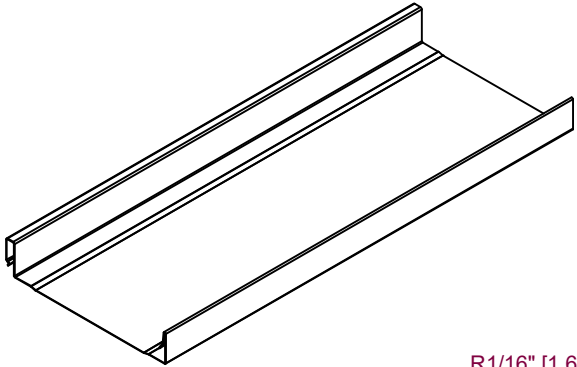


2


CREATED CLIP RELIEF VIEW



NOTE:

1. MATERIAL USAGE: 6-1/8" [155.6]
2. CLIP RELIEF ROLLERS ARE STANDARD WITH THIS PANEL.
3. PANEL IS SHOWN WITH CLIP RELIEF ROLLERS ENGAGED.
4. OPTIONAL MINOR BEAD RIB OR STRIATIONS AVAILABLE.
5. DUAL DIMENSIONS: Inch [mm]

MATERIAL PAINTED STEEL/PAINTED ALUMINUM/COPPER				FINISH NONE	
REVISION HISTORY	REV	ECR NO.	DATE	RELEASED BY	TOLERANCES
	0	REDRAWN	07/02/2002	JD	.XX = ± .01
	1	ADDED mm	05/02/2012	JD	.XXX = ± .005
	2	R-2190			FRACTION = ± 1/32"
					ANGLE = ± 1/2'

		NEW TECH MACHINERY CORP.	
CHECK BY JD DATE 01/17/2008	PART NUMBER SS7-675P	SHEET 1 OF 1	REVISION 2